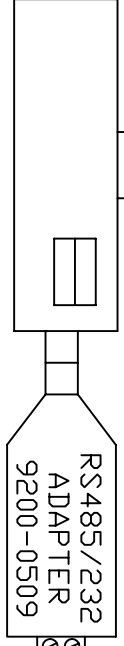
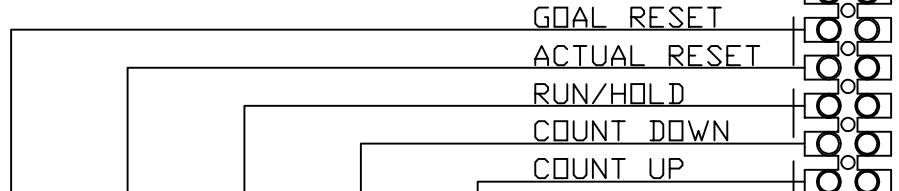


RS232 OUTPUT
TRANSMITS "GOAL" COUNT
ON ADDRESS 1, "ACTUAL"
COUNT ON ADDRESS 2.

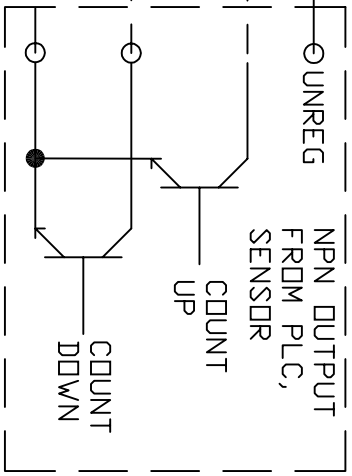
RS485 OUTPUT
SENDS AND RECEIVES DATA
FOR UP TO 32 DISPLAYS
(INCLUDING THE "GOAL" &
"ACTUAL" DISPLAYS, THE
RUN TIME, AND THE TOTALS
(IF APPLICABLE).



COMPUTER WITH
ATS SOFTWARE:
AEQUERY
(LATEST VERSION)



THE AE44-503J COUNT
INPUTS ARE PRE-WIRED
FOR DRY CONTACT OR NPN
TRANSISTOR OUTPUTS
FROM A PLC OR SENSOR.
UP TO A 25HZ INPUT.
(STANDARD)
OPTIONAL PNP
TRANSISTOR INPUTS ARE
AVAILABLE.



VCAD LTVATS DWG\PRDD MONITORS\
APPLIED TECHNICAL SYSTEMS
P.O. BOX 5705
SHREVEPORT, LA
71135

APPROVALS	DATE	PROJECT	SCALE
DRAWN BY GJB	5/30/01	AE44-503J PRODUCTION MONITOR	JOB # 503J
CHECKED BY			SHEET #
APPROVED BY			REVISION
			FILENAME: 503JW/D1
			DRAWING #

DESCRIPTION
WIRING DIAGRAM