

SYSTEM CLOCK

CC2002C2



TWO-SIDED Ceiling Mount

Four-Inch High

BRIGHT RED LED Digits
VISIBLE UP TO 100 FEET

Easily Connects to Computers, Master Clocks,
or other system controllers via RS232

Specifications

4-Inch High Bar Segment Digits

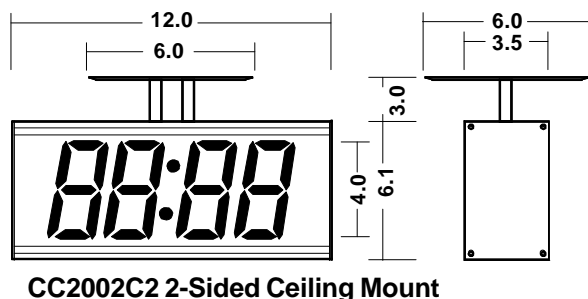
Simple two-wire input - Receives standard ATS 10-Byte control messages
from your computer or other host device via RS232 up to 2000 feet away.

Free AECOMM PC Software - send time, messages,
count up, and count down elapsed time from your computer.

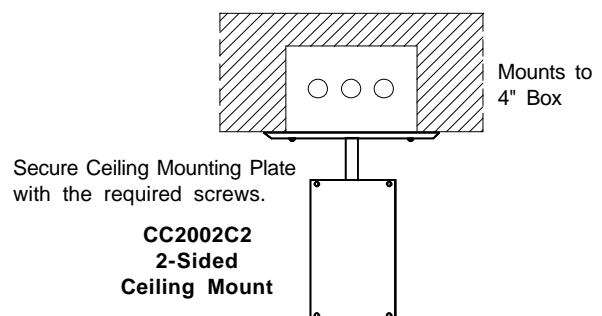
24 VAC, 60 Hz Operation (8 VA Max)

Pigtail leads are provided at the side panel for all wiring

Black anodized aluminum Two-Sided Ceiling Mount Enclosure



CC2002C2 2-Sided Ceiling Mount



CC2002C2
2-Sided
Ceiling Mount

TWO YEAR WARRANTY



**APPLIED
TECHNICAL
SYSTEMS**

800-444-7161

BOX 5705 • SHREVEPORT, LOUISIANA. 71135 • (318) 797-7508

FAX: 318-797-4864
www.ats-usa.com