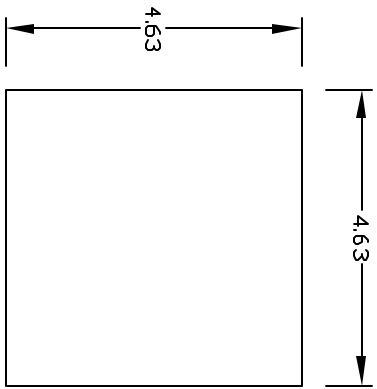
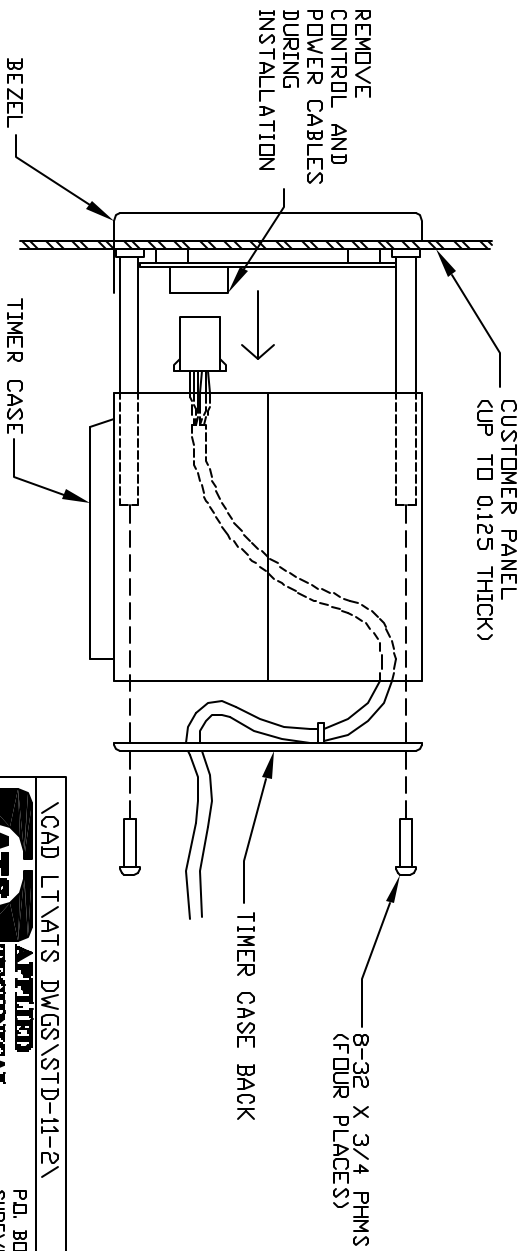


PANEL CUT-OUT



PANEL MOUNT DETAIL



ENCLOSURE CAN BE FREE STANDING OR PANEL MOUNTED
 PANEL MOUNTING REQUIRES 4.63 X 4.63 CUTOUT
 REMOVE 4 8-32 X 3/4 PHM SCREWS FROM BACK PANEL
 DISCONNECT CONTROL AND POWER CONNECTORS
 REMOVE TIMER CASE AND INSTALL FRONT PANEL THROUGH CUTOUT
 REASSEMBLE TIMER CASE AND BACK PANEL
 BE SURE TO RECONNECT CONTROL AND POWER CABLES

DRAWN BY		DTI		1/14/03	
REVISED		REVISIONS			
PROJECT		DESCRIPTION		ASSEMBLY	
VCAD LTY\ATS DWGS\STD-11-2\		STD-11-2		PRECISION TIMER	
APPLIED TECHNICAL SYSTEMS		P.O. BOX 5705		SHREVEPORT, LA	
SCALE 1:3		SHEET #		REVISION	
JOB #		TITAN		DRAWING #	