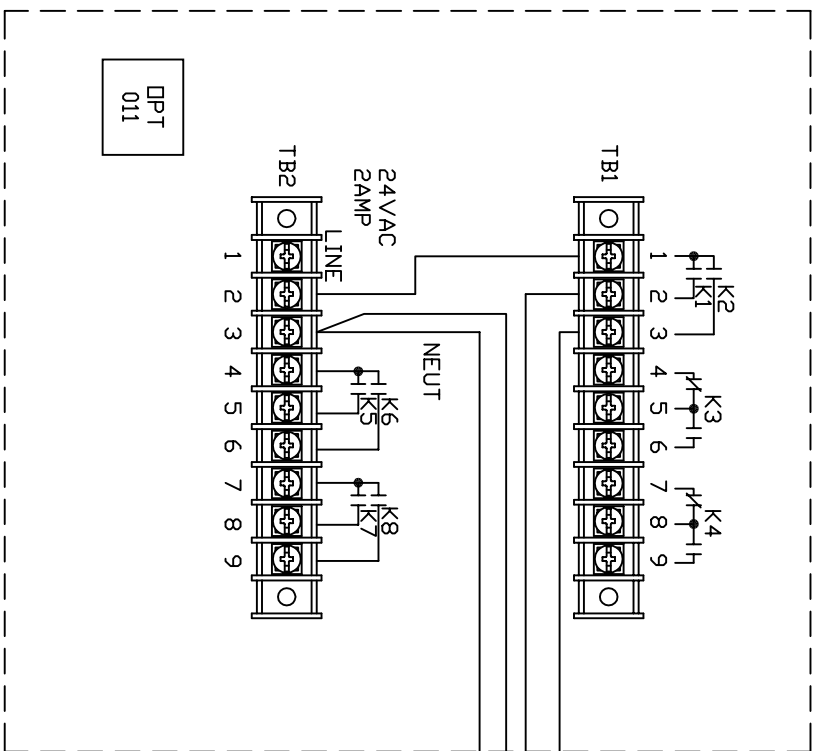
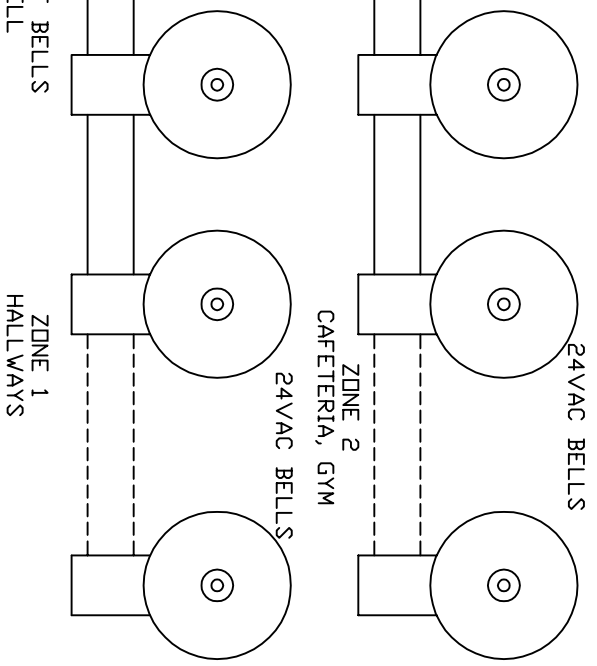


MC4181-4,-8  
W/MC-DPT-011  
INSTALLED



USE REQUIRED WIRE SIZE  
DETERMINED BY NUMBER OF BELLS  
AND DISTANCE TO EACH BELL  
LOCATION



SPECIFICATIONS:

MC4181-4, -8 W/MC-DPT-011  
USER PROGRAMMABLE, UP TO 100 EVENTS PER DAY  
BUILT-IN 24VAC, 2A TRANSFORMER  
POWER SUPPLY WILL HANDLE UP TO 6 24VAC BELLS  
24VAC BELLS AVAILABLE IN 6' DR 10"  
(P/N: 6' F-4436-24, 10' F-4431-24)

WWW.ATS-USA.COM

APPROVALS	DATE
DRAWN BY DTI	6-29-01
CHECKED BY	
APPROVED BY	

VCAD LTV\ATS DWGS\AP MC\41\_81\

P.O. BOX 5705  
SHREVEPORT, LA  
71135

PROJECT	SCALE	NTS
MC4181-4,-8 W/MC-DPT-011 WIRING DIAGRAM		
DESCRIPTION WIRING DIAGRAM	JOB #	
	SHEET #	
	REVISION	
	FILENAME: DPT11W/D1	
	DRAWING #	