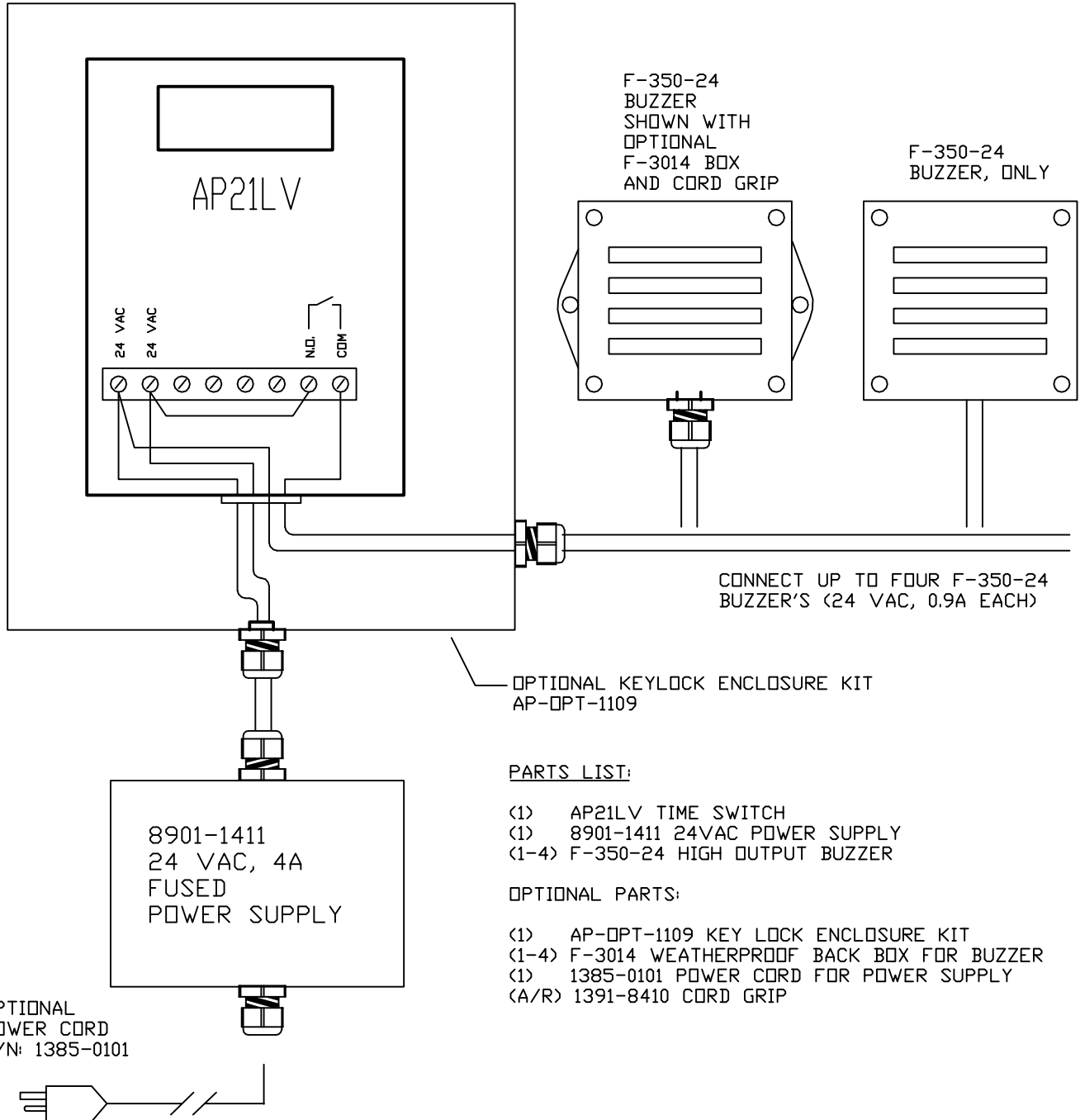


# MULTI BUZZER SYSTEM USING THE AP21LV UP TO FOUR F-350-24 BUZZERS



CONNECT UP TO FOUR F-350-24 BUZZER'S (24 VAC, 0.9A EACH)

OPTIONAL KEYLOCK ENCLOSURE KIT  
AP-OPT-1109

**PARTS LIST:**

- (1) AP21LV TIME SWITCH
- (1) 8901-1411 24VAC POWER SUPPLY
- (1-4) F-350-24 HIGH OUTPUT BUZZER

**OPTIONAL PARTS:**

- (1) AP-OPT-1109 KEY LOCK ENCLOSURE KIT
- (1-4) F-3014 WEATHERPROOF BACK BOX FOR BUZZER
- (1) 1385-0101 POWER CORD FOR POWER SUPPLY
- (A/R) 1391-8410 CORD GRIP

**INSTALLATION:**

A QUALIFIED ELECTRICIAN IS REQUIRED. BE SURE TO FOLLOW ALL LOCAL WIRING CODES. USE #16 AWG WIRE FOR BUZZER WIRING. LARGER WIRE SIZE MIGHT BE REQUIRED DEPENDING ON THE NUMBER OF BUZZERS AND THE DISTANCE TO EACH BUZZER.

BE SURE THE POWER SUPPLY FUSE DOES NOT EXCEED THE SAFE WIRE CURRENT CAPACITY.

	<b>APPLIED TECHNICAL SYSTEMS</b>	P.O. BOX 5705 SHREVEPORT, LA 71135
	APPLICATION NOTE AN-103 4/28/06	

(800) 444-7161    www.ats-usa.com