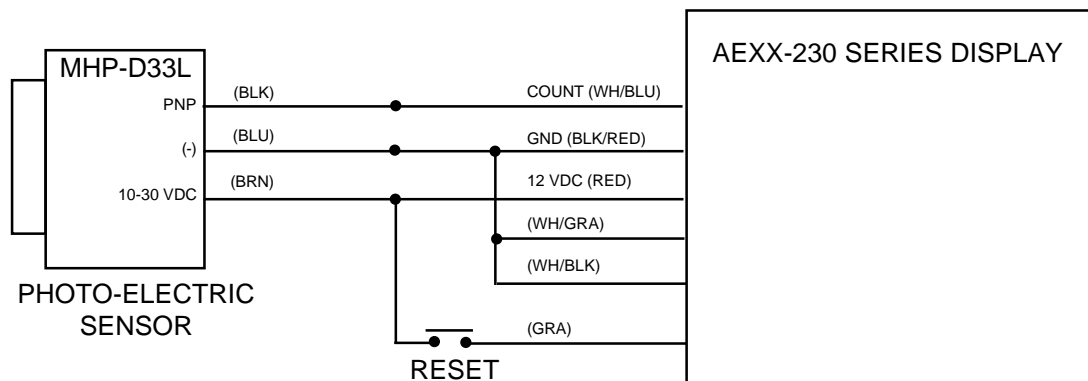


APPLICATION NOTE

AN230-01

CONNECTING A PHOTO-ELECTRIC SENSOR TO THE AE SERIES COUNTER/TOTALIZER

AE Series Counter / Totalizers can be used to automatically count products on an assembly line. Many times a non-contact sensor, such as a photo-electric sensor is required to increment the count. Power for driving these sensors is usually in the 10 - 30 VDC range. AE Displays can easily provide 12 VDC to power the sensor.



The connections shown above are for a Micro Switch model MHP-D33L sensor. Similar connections would apply to most other brands.

AE Series Counter / Totalizers can count at rates up to 25 pulses per second with a minimum pulse width of 20 msec. Displays are available with two, three, four, five and six digits, with digit sizes ranging from one inch high up to twelve inches high. A variety of enclosures, operating voltages, and custom configurations are available.

Use other AE Series Large Displays for clocks, timers, master time displays, 4-20 ma process indicators, and message displays. Computer and PLC interfaces are available.

www.ats-usa.com



800-444-7161

FAX: 318-797-4864

BOX 5705 • SHREVEPORT, LOUISIANA. 71135 • 318-797-7508